

TABLE 1			
No. OF POS	"A"	"B"	"C"
-10	4.25 [0.167]	3.600 [0.1417]	5.40 [0.213]
*-15	6.25 [0.246]	5.600 [0.2205]	7.40 [0.291]
-20	8.25 [0.325]	7.600 [0.2992]	9.40 [0.370]
-30	12.25 [0.482]	11.600 [0.4567]	13.40 [0.528]
-40	16.25 [0.640]	15.600 [0.6142]	17.40 [0.685]
-50	20.25 [0.797]	19.600 [0.7717]	21.40 [0.843]

* = NOT TOOLED FOR LEAD STYLE 2.50

DO NOT SCALE FROM THIS PRINT

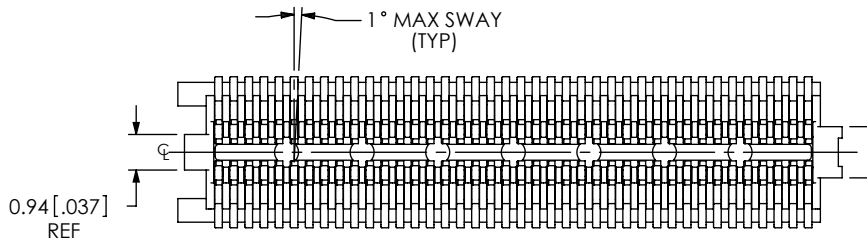
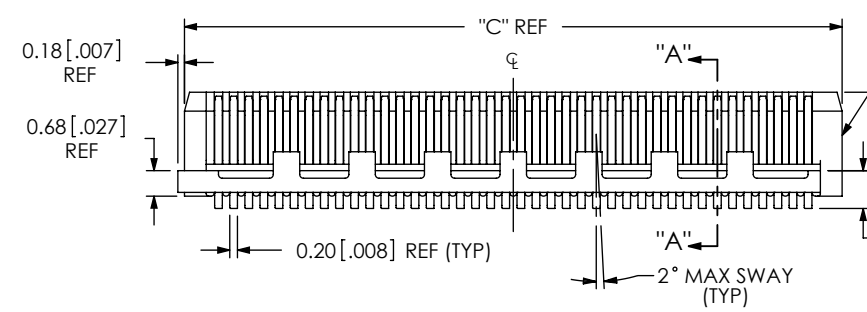
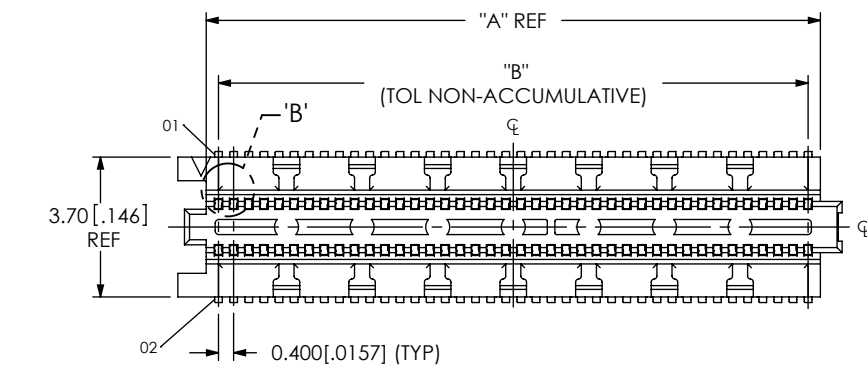


FIG 1
ST4-40-1.00-X-D SHOWN

- NOTES:
- ⊕ REPRESENTS A CRITICAL DIMENSION.
 - MINIMUM PUSHOUT FORCE: SIGNAL: 0.80N [.25 LB], LATCH: 2.22N [.5 LB]
 - P OPTION MUST BE SPECIFIED FOR TAPE & REEL PACKAGING.
 - FOR QUANTITIES UP TO 49 PIECES, NO LEADER, TRAILER, OR REEL WILL BE SUPPLIED. FOR QUANTITIES OF 50-124 PIECES, NO LEADER OR TRAILER WILL BE SUPPLIED.
 - L OPTION NOT INTENDED FOR FOR ALIGNMENT TO PCB. AUTOMATED PLACEMENT RECOMMENDED.

DESIGNED & DIMENSIONED IN MILLIMETERS [INCHES]

ST4-XX-X.XX-X-D-X-XX-TR

No OF POSITIONS
-10, *-15, -20, -30, -40, -50 (PER ROW)

LEAD STYLE
-1.00: SEE FIG 1 (USE T-1M50-1.00-X)
-1.50: SEE FIG 2, SHT 2 (USE T-1M50-1.50-X)
-2.50: SEE FIG 3, SHT 2 (USE T-1M50-2.50-X)

PLATING SPECIFICATION
-L: 10μ" SELECTIVE GOLD IN CONTACT AREA, MATTE TIN ON TAIL (USE T-1M50-X.XX-L)

PACKAGING
-TR: TAPE AND REEL (SEE NOTES 3 & 4)

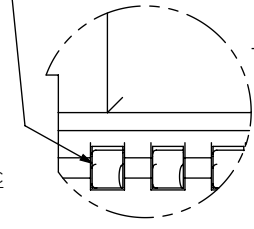
PLACEMENT PAD
-P: PICK AND PLACE PAD (USE PPP-65) (SEE FIG 7 & 8, SHT 3)
**PA: PICK AND PLACE PAD WITH -A PINS (USE PPP-70) (SEE FIG 9 & 10, SHT 4) (NOT AVAILABLE ON -15 POS)

OPTIONS
**L: LATCHING (USE WT-39-X.XX-T) (LEAVE BLANK FOR NO OPTION) (TOOLED FOR LEAD STYLE 1.00 ONLY)

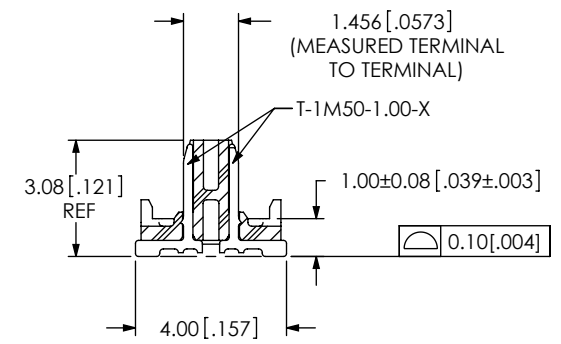
ROW SPECIFICATION
-D: DOUBLE

* = NOT TOOLED FOR LEAD STYLE 2.50
** = AVAILABLE FOR EXISTING CUSTOMERS ONLY

DIE ROLL TO FACE POSITION 1 END

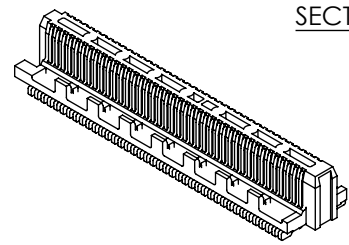


DETAIL 'B'
SCALE 20:1



SECTION "A"-"A"

TABLE 2 REF		
STACK HEIGHT		
ST4 LEAD STYLE	SS4 LEAD STYLE	
	-3.00	-3.50
-1.00	4.0 [0.16]	4.5 [0.18]
-1.50	4.5 [0.18]	5.0 [0.20]
-2.50	5.5 [0.22]	6.0 [0.24]



UNLESS OTHERWISE SPECIFIED, DIMENSIONS ARE IN MILLIMETERS. TOLERANCES ARE:
DECIMALS ANGLES
.X: ±0.3 [0.1] 2°
.XX: ±0.13 [0.05]
.XXX: ±0.051 [0.020]

PROPRIETARY NOTE
THIS DOCUMENT CONTAINS INFORMATION CONFIDENTIAL AND PROPRIETARY TO SAMTEC, INC. AND SHALL NOT BE REPRODUCED OR TRANSFERRED TO OTHER DOCUMENTS OR DISCLOSED TO OTHERS OR USED FOR ANY PURPOSE OTHER THAN THAT WHICH IT WAS OBTAINED WITHOUT THE EXPRESSED WRITTEN CONSENT OF SAMTEC, INC.

samtec
520 PARK EAST BLVD, NEW ALBANY, IN 47150
PHONE: 812-944-6733 FAX: 812-948-5047
e-Mail: info@SAMTEC.com code 55322

MATERIAL: DO NOT SCALE DRAWING SHEET SCALE: 5:1
INSULATOR: LCP, UL 94 V0, COLOR: BLACK
TERMINAL: PHOS BRONZE

DESCRIPTION:
0.4mm [0.016] TERMINAL STRIP ASSEMBLY
DWG. NO.
ST4-XX-X.XX-X-D-X-XX-TR

FIG 2
1.50 LEAD STYLE
ST4-40-1.50-X-D SHOWN
(DIFFERENT AS SHOWN, OTHERWISE SAME AS FIG 1)

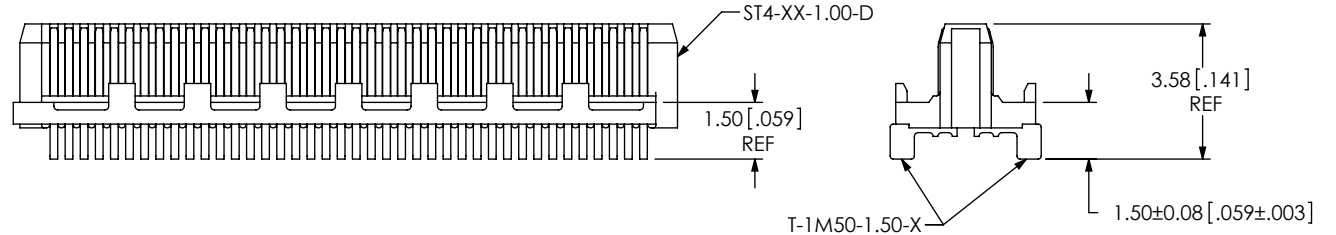
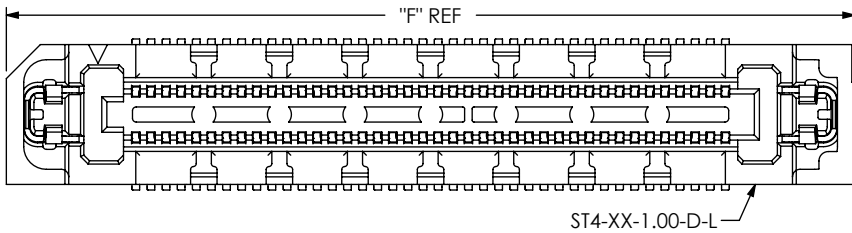
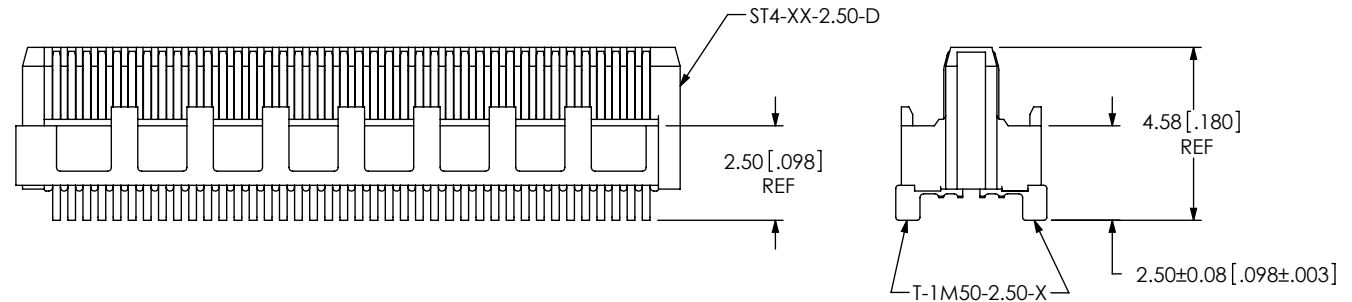


FIG 3
2.50 LEAD STYLE
ST4-40-2.50-X-D SHOWN
(DIFFERENT AS SHOWN, OTHERWISE SAME AS FIG 1)



LEAD STYLE	LATCH
-1.00	WT-39-1.00-T
-1.50	WT-39-1.50-T
-2.50	WT-39-2.50-T

TOOLED FOR -1.00 LEAD STYLE ONLY

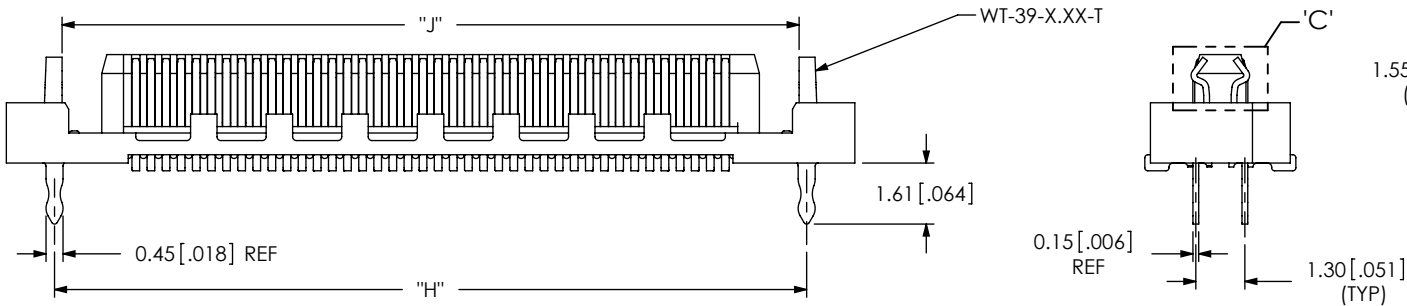
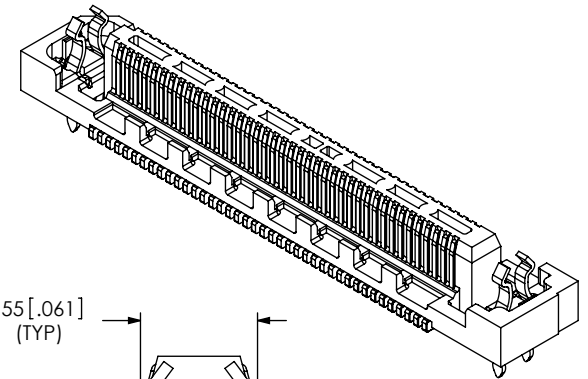


TABLE 4

No. OF POS	"F"	"H"	"J"
-10	10.46 [0.412]	7.90 [0.311]	7.50 [0.295]
-15	12.46 [0.491]	9.90 [0.390]	9.50 [0.374]
-20	14.46 [0.569]	11.90 [0.469]	11.50 [0.453]
-30	18.46 [0.727]	15.90 [0.626]	15.50 [0.610]
-40	22.46 [0.884]	19.90 [0.783]	19.50 [0.768]
-50	26.46 [1.042]	23.90 [0.941]	23.50 [0.925]

FIG 5
**-L: LATCHING OPTION
ST4-40-1.00-X-D-L SHOWN
(DIFFERENT AS SHOWN, OTHERWISE SAME AS FIG 1)
(TOOLED FOR -1.00 LEAD STYLE ONLY)
** = AVAILABLE FOR EXISTING CUSTOMERS ONLY

PROPRIETARY NOTE

THIS DOCUMENT CONTAINS INFORMATION CONFIDENTIAL AND PROPRIETARY TO SAMTEC, INC. AND SHALL NOT BE REPRODUCED OR TRANSFERRED TO OTHER DOCUMENTS OR DISCLOSED TO OTHERS OR USED FOR ANY PURPOSE OTHER THAN THAT WHICH IT WAS OBTAINED WITHOUT THE EXPRESSED WRITTEN CONSENT OF SAMTEC, INC.

DO NOT SCALE DRAWING

SHEET SCALE: 5:1

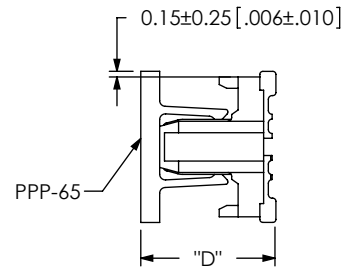
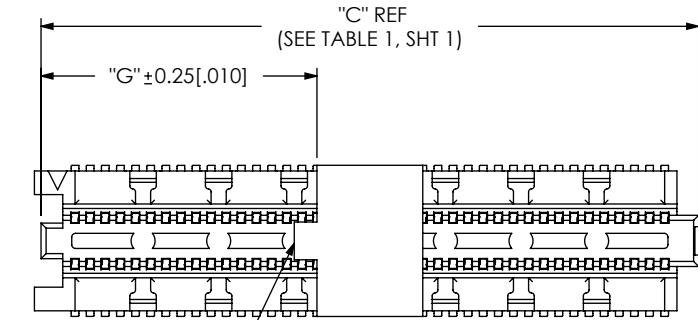


520 PARK EAST BLVD, NEW ALBANY, IN 47150
PHONE: 812-944-6733 FAX: 812-948-5047
e-Mail: info@SAMTEC.com code 55322

DESCRIPTION:
0.4mm[.016] TERMINAL STRIP ASSEMBLY

DWG. NO.
ST4-XX-X.XX-X-D-X-XX-TR

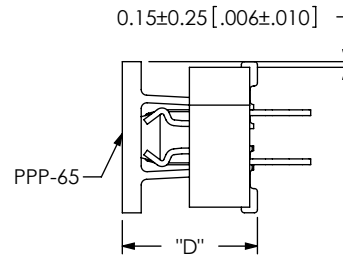
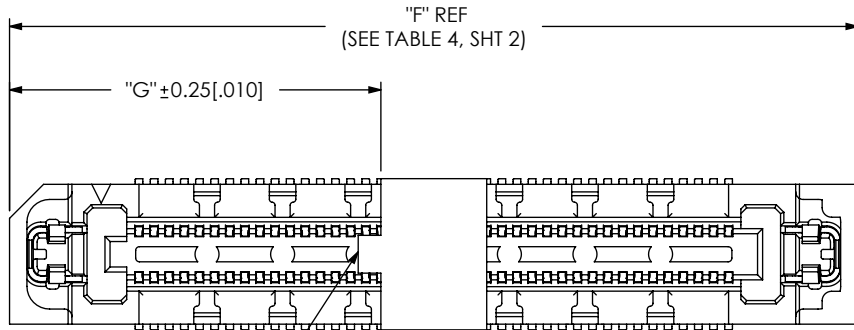
BY: BRATCHER 3/21/2007 SHEET 2 OF 4



NOTCH OF PPP-65 TO FACE POS 1 END

FIG 7
-P: PICK AND PLACE PAD OPTION
ST4-40-1.00-X-D-P SHOWN
(DIFFERENT AS SHOWN, OTHERWISE SAME AS FIG 1)

LEAD STYLE	"D"
-1.00	3.55 [0.140]
-1.50	4.05 [0.159]
-2.50	5.05 [0.199]



NOTCH OF PPP-65 TO FACE POS 1 END

FIG 8
-P: PICK AND PLACE PAD (W/ LATCH OPTION)
ST4-40-1.00-X-D-L-P SHOWN
(DIFFERENT AS SHOWN, OTHERWISE SAME AS FIG 1)

No. OF POS	"G" WITH NO -L OPTION	"G" WITH -L OPTION
-10	1.30 [0.051]	3.83 [0.151]
*-15	1.30 [0.051]	3.83 [0.151]
-20	3.30 [0.130]	5.83 [0.230]
-30	5.30 [0.209]	7.83 [0.308]
-40	7.30 [0.287]	9.83 [0.387]
-50	9.30 [0.366]	11.83 [0.466]

* = NOT TOOLED FOR LEAD STYLE 2.50

PROPRIETARY NOTE
THIS DOCUMENT CONTAINS INFORMATION CONFIDENTIAL AND PROPRIETARY TO SAMTEC, INC. AND SHALL NOT BE REPRODUCED OR TRANSFERRED TO OTHER DOCUMENTS OR DISCLOSED TO OTHERS OR USED FOR ANY PURPOSE OTHER THAN THAT WHICH IT WAS OBTAINED WITHOUT THE EXPRESSED WRITTEN CONSENT OF SAMTEC, INC.

DO NOT SCALE DRAWING

SHEET SCALE: 5:1



520 PARK EAST BLVD, NEW ALBANY, IN 47150
PHONE: 812-944-6733 FAX: 812-948-5047
e-Mail info@SAMTEC.com code 55322

DESCRIPTION:
0.4mm[.016] TERMINAL STRIP ASSEMBLY

DWG. NO.
ST4-XX-X.XX-X-D-X-XX-TR

BY: BRATCHER 3/21/2007 SHEET 3 OF 4

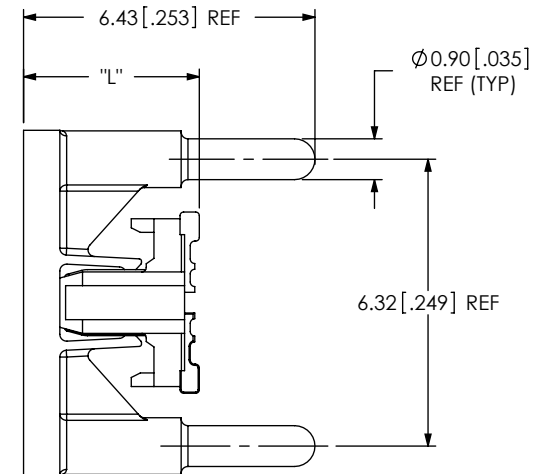
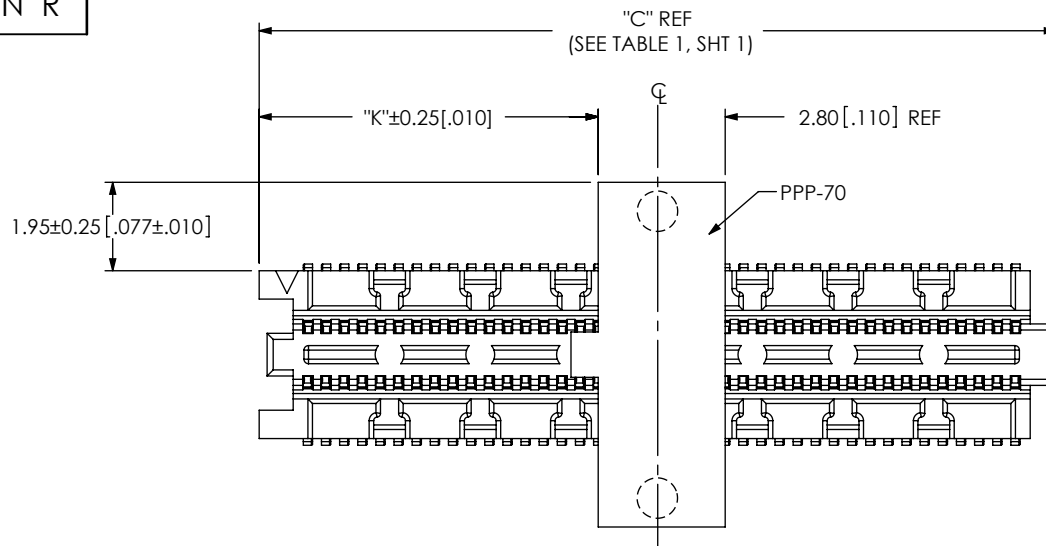


FIG 9
 **-PA: PICK & PLACE WITH ALIGNMENT PINS
 ST4-40-1.00-X-D-PA SHOWN
 (DIFFERENT AS SHOWN, OTHERWISE SAME AS FIG 1)
 ** = AVAILABLE FOR EXISTING CUSTOMERS ONLY

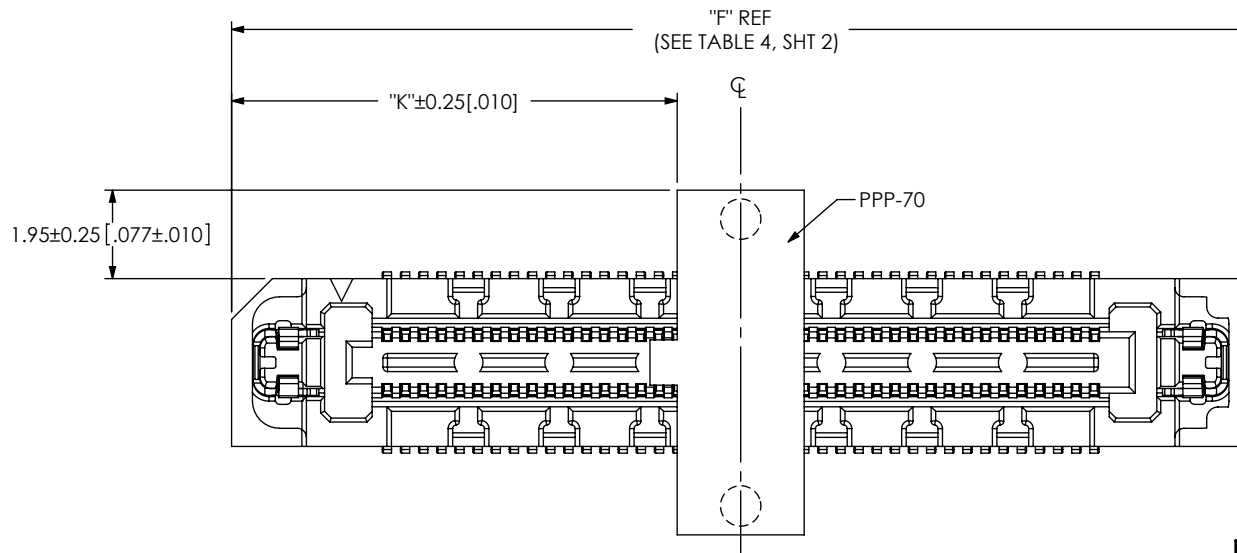


FIG 10
 **-PA: PICK & PLACE WITH ALIGNMENT PINS (WITH -L OPTION)
 ST4-40-1.00-X-D-L-PA SHOWN
 (DIFFERENT AS SHOWN, OTHERWISE SAME AS FIG 1)
 ** = AVAILABLE FOR EXISTING CUSTOMERS ONLY

TABLE 9

POS	"K" W/O -L OPTION	"K" W/ -L OPTION
-10	1.300 [0.051]	3.830 [0.151]
-20	3.300 [0.130]	5.830 [0.230]
-30	5.300 [0.209]	7.830 [0.308]
-40	7.300 [0.287]	9.830 [0.387]
-50	9.300 [0.366]	11.830 [0.466]

TABLE 10

LEAD STYLE	"L"
-1.00	3.58 [0.141]
-1.50	4.08 [0.161]
-2.50	5.08 [0.200]

PROPRIETARY NOTE
 THIS DOCUMENT CONTAINS INFORMATION
 CONFIDENTIAL AND PROPRIETARY TO
 SAMTEC, INC. AND SHALL NOT BE REPRODUCED
 OR TRANSFERRED TO OTHER DOCUMENTS OR
 DISCLOSED TO OTHERS OR USED FOR ANY
 PURPOSE OTHER THAN THAT WHICH IT WAS
 OBTAINED WITHOUT THE EXPRESSED WRITTEN
 CONSENT OF SAMTEC, INC.

DO NOT SCALE DRAWING

SHEET SCALE: 5:1

samtec

520 PARK EAST BLVD, NEW ALBANY, IN 47150
 PHONE: 812-944-6733 FAX: 812-948-5047
 e-Mail info@SAMTEC.com code 55322

DESCRIPTION:
 0.4mm[.016] TERMINAL STRIP ASSEMBLY

DWG. NO.
 ST4-XX-X.XX-X-D-X-XX-TR

BY: BRATCHER 3/21/2007 SHEET 4 OF 4