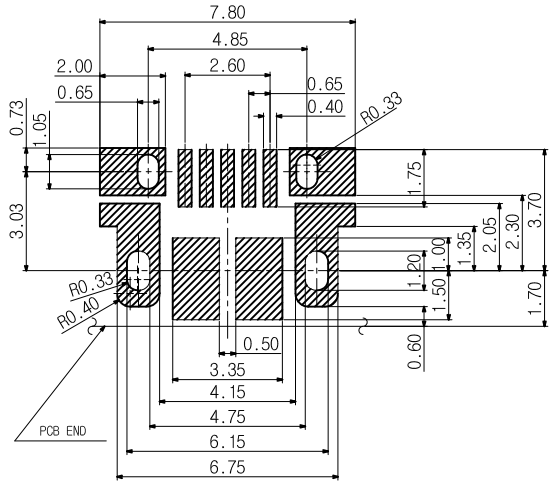
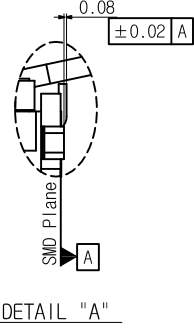
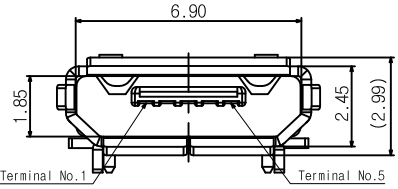
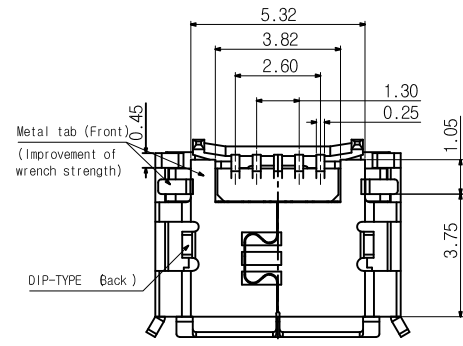
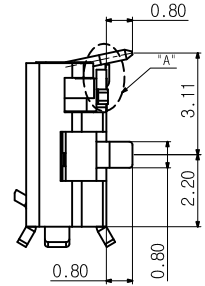
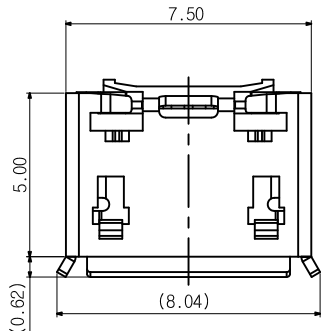
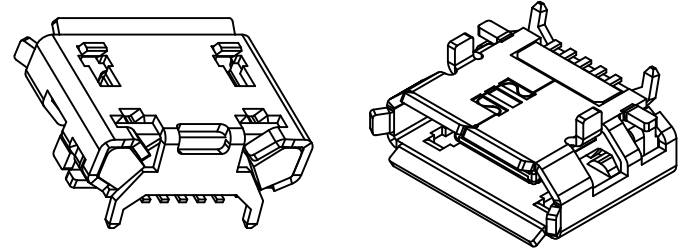
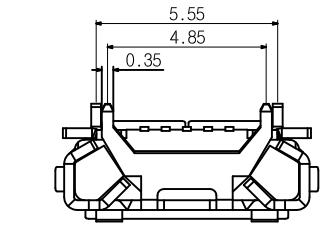


Tous droits strictement reserves. Reproduction ou communication a des tiers Interdite sous quelque forme que ce soit sans autorisation ecrite du proprietaire. Propriete de c FCI. Droits de reproduction FCI.



All rights strictly reserved. Reproduction or issue to third parties in any form whatever is not permitted without written authority from the proprietor. Property of FCI. Copyright FCI.



RECOMMENDED PCB Pattern
(Tolerance : ±0.05)

-NOTE-

1. This product is enable to mount both USB-IF Recommended PCB pattern and NEW USB-IF Recommended PCB Pattern
2. Coplanarity : The dimension between flat tool and when connector put on the flat tool like PCB bottom of soldering terminals
Signal terminal / Metal (front) : Max 0.08 mm
3. PRODUCT NUMBERING
10103594 - 0001 LF

No.	Part Name	Material	Finish	Remarks
1	Socket Housing	Thermoplastic	(Black)	
2	Socket Contact Ter	Copper Alloy	Au over Ni	
3	Socket Shield	Stainless Steel	Sn over Ni	
4	Socket Plate	Stainless Steel		

mat'l. code				tolerances unless otherwise specified		CUSTOMER COPY		FCI www.fciconnect.com	
ltr	ecn no	dr	date	linear	.X ± 0.38		projection	title	
A	T10-0002	J.H	1/7/10		.XX ± 0.25			MICRO-USB B-TYPE RECEP.	
				angles	.XXX ± 0.15		MM	product family USB	
					0' ±2'			size dwg no	
				dr	JASON HSU	1/7/10	scale NA	A4	
				enrg	JASON HSU	1/7/10		10103594	
				chr	GARY HSIEH	1/7/10		code TWN	
				appd	JOSEPH HSIA	1/7/10		sheet 1 of 1	
sheet index		revision sheet		A		1		cage code	